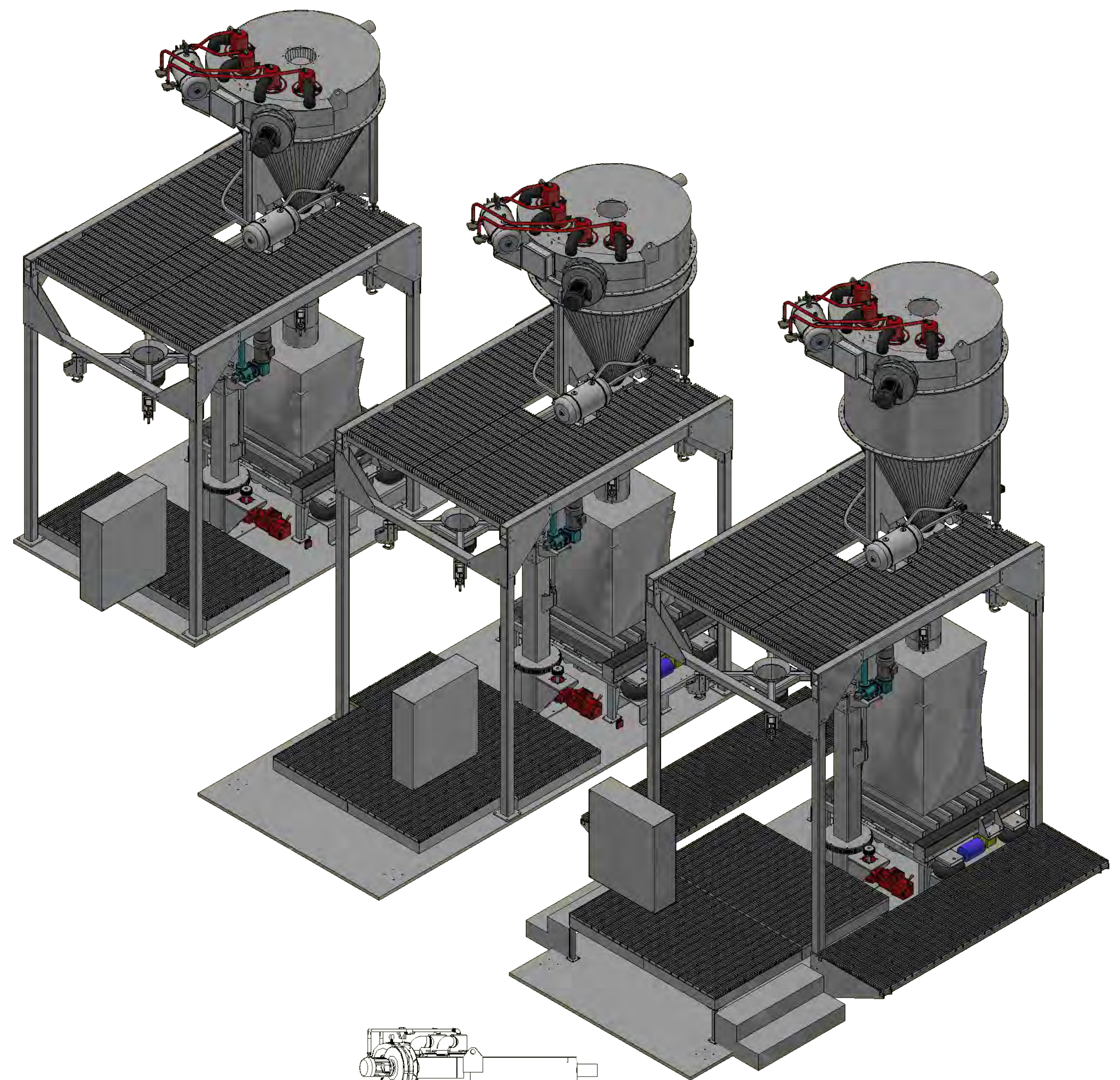
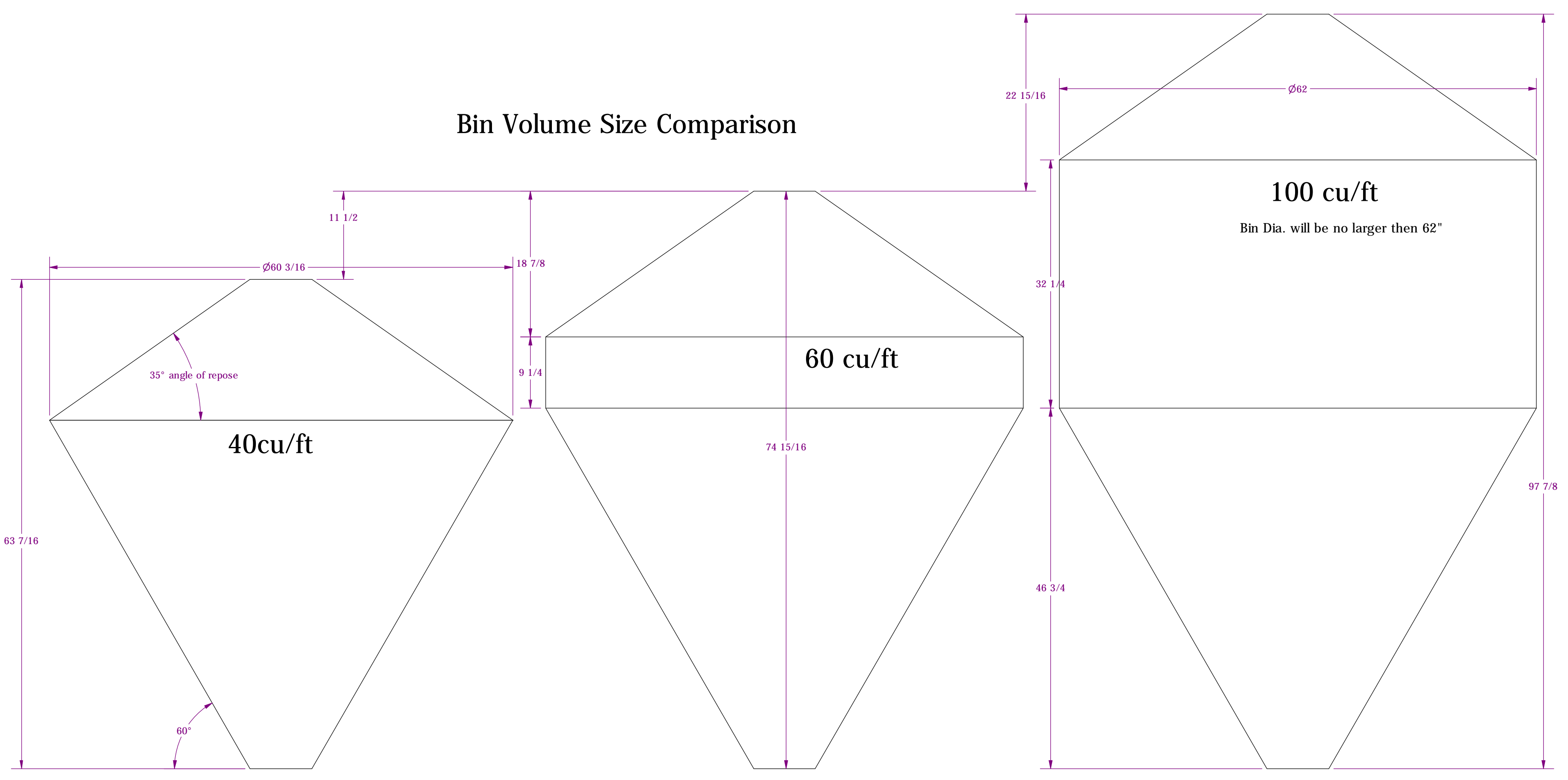


REVISION HISTORY			
REV	DESCRIPTION	DATE	APPROVED

### Bin Volume Size Comparison

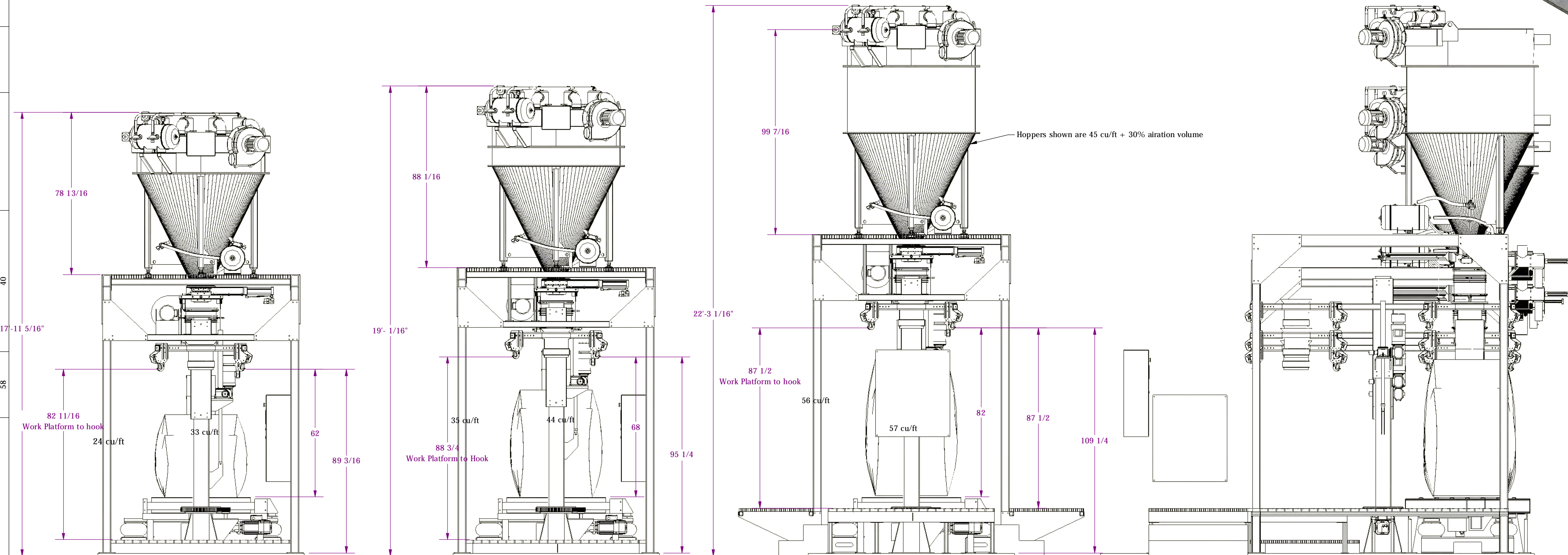


Material	Bulk Density PCF	Weight of material with Aeration 30% Bin Volume + 10% safety factor	Bin Volume	Bag Volume	Weight	Aerated Weight x Bag Volume	Min Bin Volume with 30% Aeration	
Portland	90	30.6	24	24	2160	1440	38	
	90	46.2	28	28	2520	1680	42	
	90	54.45	33	33	2970	1980	49.5	
	90	57.75	35	35	3150	2100	52.5	
	90	62.7	38	38	3420	2280	57	
	90	72.6	44	44	3960	2640	66	
	90	82.4	56	56	5040	3360	84	
	45	37.125	24	24	1080	768	33.75	
	45	43.3125	28	28	1260	896	39.375	
Lime Hydrated, 1/8 inch and under	45	51.04875	33	33	1485	1056	46.40625	
	45	54.140625	35	35	1575	1120	49.21875	
	45	58.78125	38	38	1710	1216	53.4375	
	45	68.0625	44	44	1980	1408	61.875	
	45	86.625	56	56	2520	1792	78.75	
	Aluminum Sulfate	58	38.28	24	24	1392	960	34.8
		58	44.66	28	28	1624	1120	40.6
		58	52.635	33	33	1914	1320	47.85
		58	55.825	35	35	2030	1400	50.75
58		60.61	38	38	2204	1520	55.1	
58		70.18	44	44	2552	1760	63.8	
58		80.32	56	56	3248	2240	81.2	

Bulk Bag Sizes For Station A				
Bag Size	Description	Bag Length	Bag Width	Bag Height
24 ft^3	24 cu/ft x 14dia x 19L Neck	35	35	30
28 ft^3	28 cu/ft x 14dia x 19L Neck	35	35	35
33 ft^3	33 cu/ft x 14dia x 19L Neck	35	35	40

Bulk Bag Sizes For Station B				
Bag Size	Description	Bag Length	Bag Width	Bag Height
35 ft^3	35 cu/ft x 14dia x 19L Neck	35	35	43
38 ft^3	38 cu/ft x 14dia x 19L Neck	35	35	46
44 ft^3	44 cu/ft x 14dia x 19L Neck	35	35	52

Bulk Bag Sizes For Station C				
Bag Size	Description	Bag Length	Bag Width	Bag Height
56 ft^3	56 cu/ft x 14dia x 19L Neck	35	35	66
56 ft^3	56 cu/ft x 14dia x 19L Neck	37	37	60
57 ft^3	57 cu/ft x 14dia x 19L Neck	35	35	66



**DEL** SPECIALISTS IN ADVANCED DESIGN  
LOADING SYSTEMS (231) 547-5600

TOLERANCES UNLESS OTHERWISE SPECIFIED  
FRACTIONAL: 1/32" DECIMAL: .005 ANGULAR: 1/4

08660 ANCE ROAD  
CHARLEVOIX, MI, 49720

DRAWING TITLE	DRAWN BY
DRAWING NO.	CHECKED BY
Station Comparison	DATE
	REV