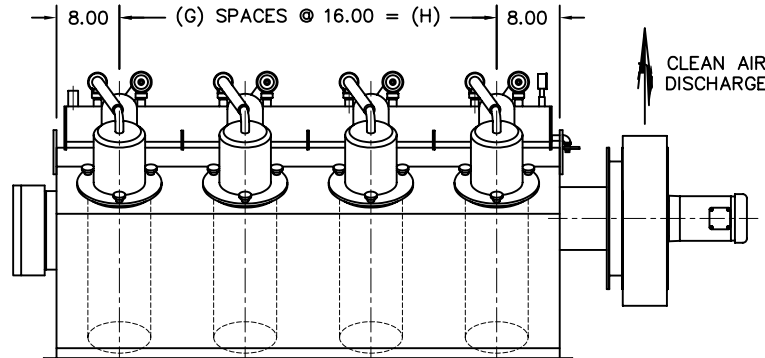
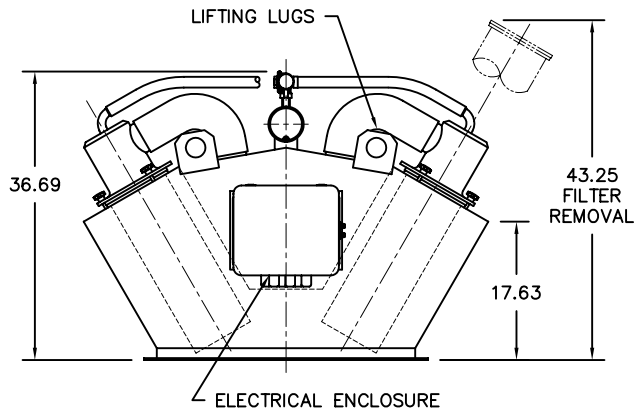
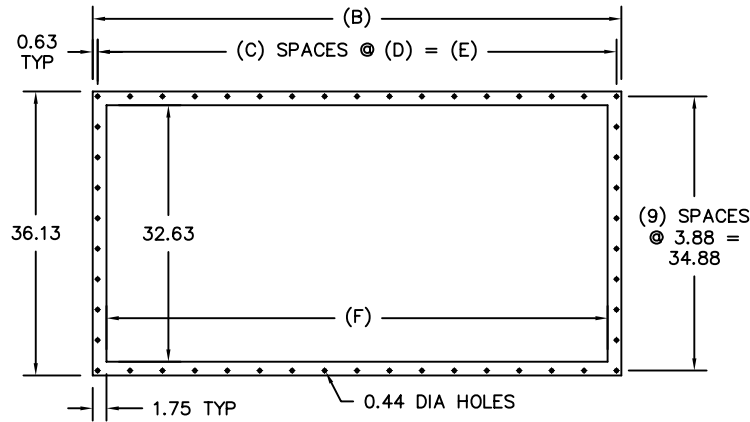
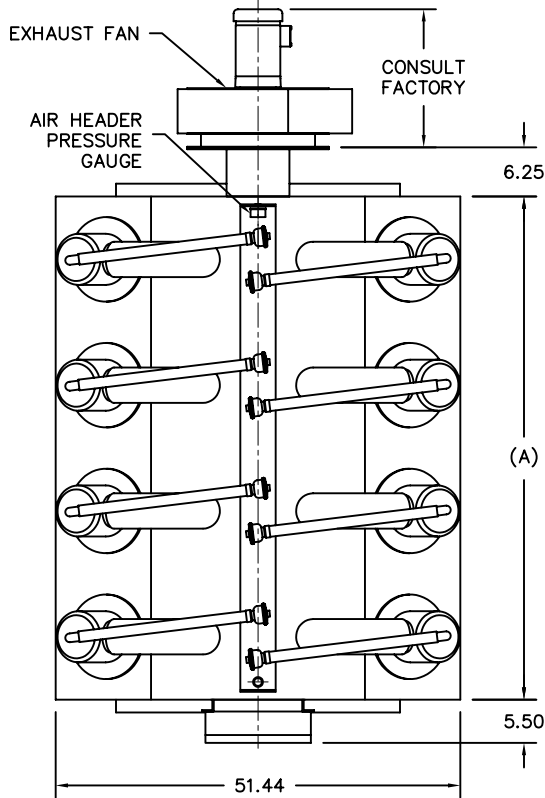


MODEL	EST WGT	# FILTER	CLOTH AREA	FILTER LGTH	A	B	C	D	E	F	G	H
VMV185	530 LB*	4	185 SQ FT	22.00	32.00	35.25	8	4.25	34.00	31.75	1	16.00
VMV280	795 LB*	6	280 SQ FT	22.00	48.00	51.25	10	5.00	50.00	47.75	2	32.00
VMV375	1060 LB*	8	375 SQ FT	22.00	64.00	67.25	16	4.13	66.00	63.75	3	48.00
VMV470	1325 LB*	10	470 SQ FT	22.00	80.00	83.25	16	5.13	82.00	79.75	4	64.00
VMV565	1590 LB*	12	565 SQ FT	22.00	96.00	99.25	16	6.13	98.00	95.75	5	80.00
VMV660	1855 LB*	14	660 SQ FT	22.00	112.00	115.25	24	4.75	114.00	111.75	6	96.00
VMV750	2120 LB*	16	750 SQ FT	22.00	128.00	131.25	26	5.00	130.00	127.75	7	112.00



**GENERAL NOTES:**

ALL INDUSTRIAL VOLTAGES AVAILABLE FOR ELECTRICAL COMPONENTS.

PREWIRING OF ELECTRICAL COMPONENTS TO VMV HOUSING JUNCTION BOX OPTIONAL.

ELECTRICAL ENCLOSURES NEMA 4 STANDARD. NEMA 4X, 7, AND 9 OPTIONAL.

METAL SURFACES ARE POWER TOOL CLEANED, PRIMED, AND FINISHED WITH INDUSTRIAL ENAMEL.

AIR REQUIREMENTS FOR COMPRESSED AIR HEADER ARE (16) CFM @ (80-100) PSI.

SPECIFICATIONS AND/OR DIMENSIONAL DATA ARE SUBJECT TO CHANGE. CONSULT DCL FOR CERTIFIED DRAWINGS.

\*ESTIMATED WEIGHTS DO NOT INCLUDE OPTIONAL EQUIPMENT, ELECTRICAL COMPONENTS OR EXHAUST FAN.

REV	DATE	BY	DCL SPECIALISTS IN ADVANCED DESIGN LOADING SYSTEMS		P.O. BOX 125 CHARLEVOIX, MICHIGAN 49720 (231) 547-5800
			TOLERANCES UNLESS OTHERWISE SPECIFIED FRACTIONAL: 1/16" DECIMAL: .06 ANGULAR 1/2		DRAWN BY: JNM SCALE: NONE CHECKED BY: ENG DATE: 04-08-02
A	07-22-02	JNM	TITLE VMV VENTILATION MODULE		DRAWING No: VMV-10001