

MODEL	A	B	C	D	E	F	G	H	J	K	L	M	N	P	Q	R	EST WGT
RTV8X8	8.00	8.00	2	5.00	10.00	2	4.00	8.00	16.25	12.00	13.50	24.44	12.63	22.88	43.06	5.13	238 LB*
RTV10X10	10.00	10.00	3	4.00	12.00	2	5.00	10.00	18.25	14.00	14.50	26.44	12.63	22.88	43.06	5.13	286 LB*
RTV12X12	12.00	12.00	4	3.50	14.00	3	4.00	12.00	20.25	16.00	15.50	28.44	12.63	22.88	43.06	5.13	335 LB*
RTV14X14	14.00	14.00	4	4.00	16.00	4	3.50	14.00	22.25	18.00	16.50	30.44	12.63	24.88	45.06	6.13	420 LB*
RTV16X16	16.00	16.00	4	4.50	18.00	4	4.00	16.00	24.25	20.00	17.50	32.44	12.63	26.88	47.06	7.13	460 LB*
RTV18X18	18.00	18.00	4	5.00	20.00	4	4.50	18.00	26.25	22.00	18.50	34.44	12.63	28.88	49.06	8.13	475 LB*
RTV20X20	20.00	20.00	4	5.50	22.00	4	5.00	20.00	28.25	24.00	19.50	36.44	12.63	30.88	51.06	9.13	505 LB*
RTV22X22	22.00	22.00	4	6.00	24.00	4	5.50	22.00	30.25	26.00	20.50	38.44	12.63	32.88	53.06	10.13	C/F
RTV24X24	24.00	24.00	4	6.50	26.00	4	6.00	24.00	32.25	28.00	21.50	40.44	12.63	34.88	55.06	11.13	C/F

GENERAL NOTES:

PRODUCT CHAMBER IS MANUFACTURED OF 0.19 MILD STEEL. 304 SS, 316 SS, AND AR STEEL IS OPTIONAL.

AIR CHAMBER IS MANUFACTURED OF 11 GAUGE MILD STEEL. 304 SS, 316 SS, AND AR STEEL IS OPTIONAL.

AERATION MEDIA IS 0.25 NEEDED POLYESTER, CAPABLE OF TEMPERATURES UP TO 310° F. THERE ARE A NUMBER OF OPTIONAL MATERIALS TO FIT CUSTOMER SPECIFICATIONS.

MEDIA SUPPORT IS CONSTRUCTED OF 0.13 x 1.00 BAR GRATING.

ALL MATING FLANGES ARE 0.25 PLATE.

PRODUCT CHAMBER DOORS ARE QUICK RELEASE TYPE WITH GASKET SEAL.

AIR CHAMBER DOORS ARE BOLTED TYPE WITH GASKET SEAL.

INSTALLATION HARDWARE INCLUDES; PLATED STEEL NUTS, BOLTS, WASHERS, AND SEALANT CAULK. BOLTS FOR MATING TO CUSTOMERS EQUIPMENT BY OTHERS.

METAL SURFACES ARE POWER TOOL CLEANED, PRIMED, AND FINISHED WITH INDUSTRIAL ENAMEL.

SPECIFICATIONS AND/OR DIMENSIONAL DATA SUBJECT TO CHANGE. CONSULT DCL FOR CERTIFIED DRAWINGS.

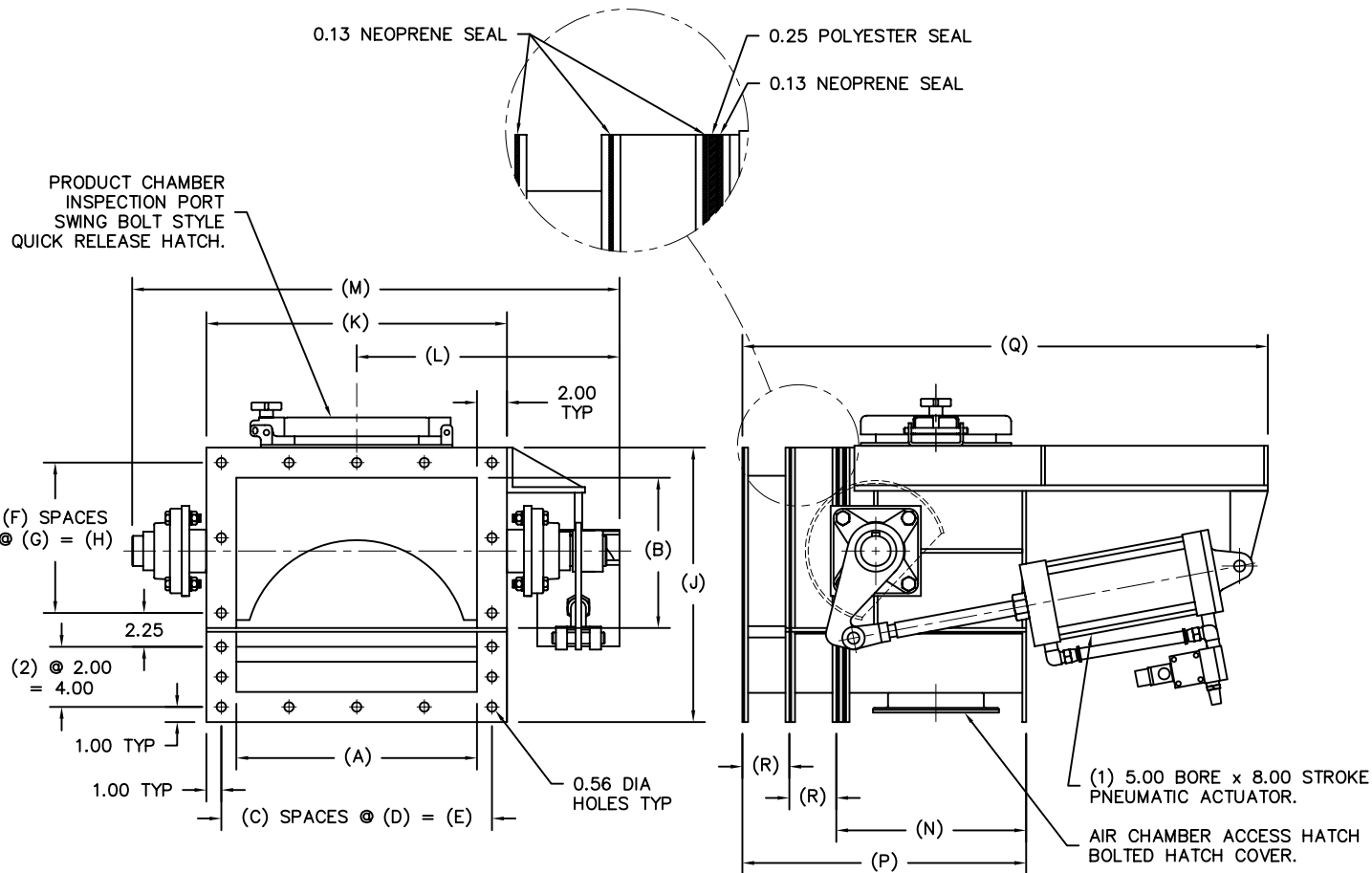
FLOW RATES ARE BASED ON A 8° MINIMUM INCLINE ANGLE AND FAVORABLE CONVEYING CONDITIONS.

PNEUMATIC ACTUATOR OPERATES AT 80 PSI. STANDARD POSITIONING IS FULL OPEN/CLOSE. OPTIONAL POSITIONING INCLUDE; 3 POSITION SOLENOID OPERATED PACKAGE AND 3-15 PSI INFINITE PACKAGE.

ELECTRICAL COMPONENTS NEMA 4 STANDARD. NEMA 4X, 7, AND 9 OPTIONAL.

C/F = CONSULT FACTORY

*ESTIMATED WEIGHTS DO NOT INCLUDE ACTUATOR OR ELECTRICAL COMPONENTS.



PRODUCT FLOW DIRECTION

REV	DATE	BY	DCL		SPECIALISTS IN ADVANCED DESIGN LOADING SYSTEMS		P.O. BOX 125 CHARLEVOIX, MICHIGAN 49720 (231) 547-5800	
			TOLERANCES UNLESS OTHERWISE SPECIFIED		FRACTIONAL: 1/16"		DECIMAL: .06	
			ANGULAR: 1/2"		DRAWN BY: JNM		SCALE: NONE	
					CHECKED BY: ENG		DATE: 09-06-00	
B	07-23-02	JNM	TITLE				DRAWING No:	
A	09-27-00	JNM	RTV ROTARY THROTTLE VALVE (HIGH TOP)				RTV-10002	