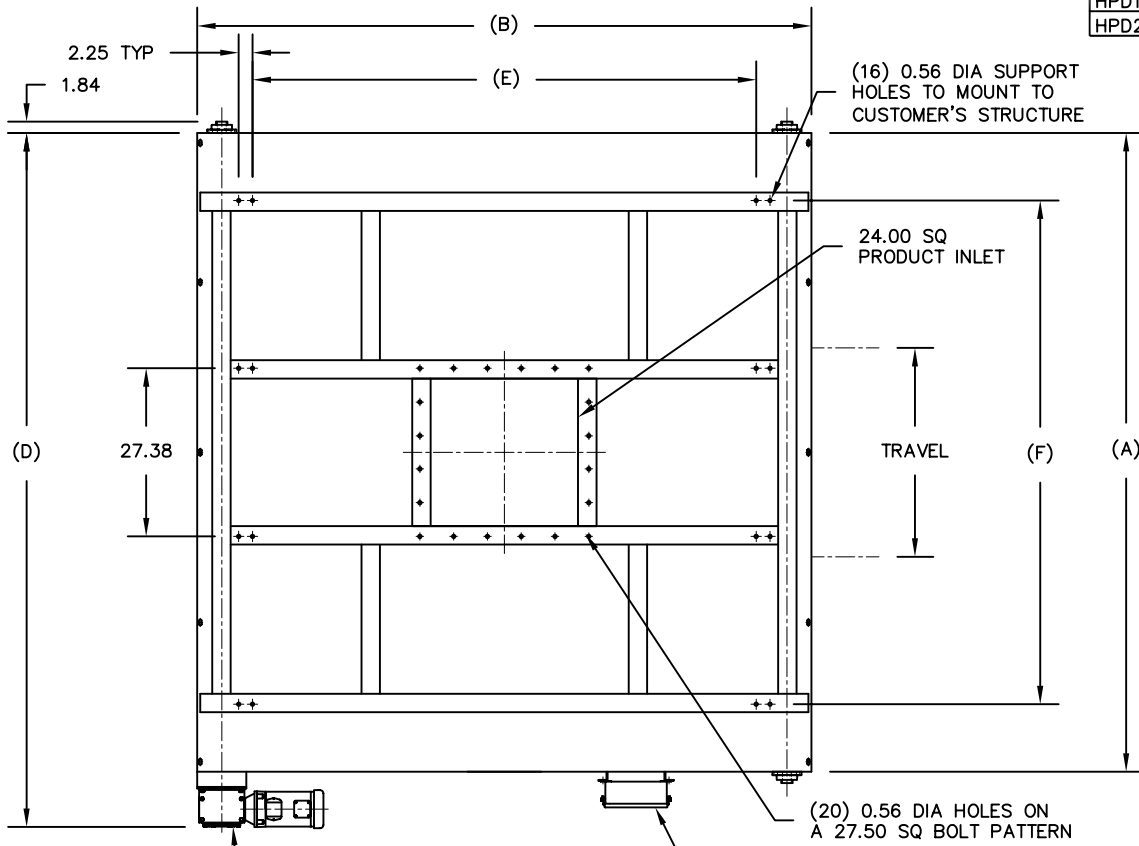


MODEL	TRAVEL	A	B	C	D	E	F	EST WGT
HPD1X1	12.00	86.00	82.00	27.00	95.75	64.00	70.00	2260 LB*
HPD2X2	24.00	104.00	100.00	27.00	113.75	82.00	82.00	3180 LB*



1 HP WORM GEAR DRIVE
W/TORQUE LIMITING SLIP
CLUTCH & DUAL CHAIN
DRIVE (TYP BOTH DIR).

RETURN TO CENTER LIMIT
SWITCHES BOTH DIRECTIONS
(OPTIONAL)

PRE-WIRED ELECTRICAL
ENCLOSURE (OPTIONAL)

(20) 0.56 DIA HOLES ON
A 27.50 SQ BOLT PATTERN

24.00 SQ
PRODUCT INLET

TRAVEL

(D)

27.38

(B)

(E)

(16) 0.56 DIA SUPPORT
HOLES TO MOUNT TO
CUSTOMER'S STRUCTURE

(A)

(F)

GENERAL NOTES:

VENT-THRU DESIGN ELIMINATES FLEXIBLE DUCTING TO
LOADING SPOUT.

POSITIONING SPEED: APPROX 5 IN/SEC

HOPPER CONSTRUCTION IS 11 GA MILD STEEL. STAINLESS
STEEL CONSTRUCTION AND AR STEEL IS OPTIONAL.

ALL INDUSTRIAL VOLTAGES ARE AVAILABLE FOR ELECTRICAL
COMPONENTS.

PREWIRING OF ELECTRICAL COMPONENTS TO SPOUT FRAME
JUNCTION BOX OPTIONAL.

ELECTRICAL ENCLOSURES NEMA 4 STANDARD. NEMA 4X,
7, AND 9 OPTIONAL.

METAL SURFACES ARE POWER TOOL CLEANED, PRIMED, AND
FINISHED WITH INDUSTRIAL ENAMEL.

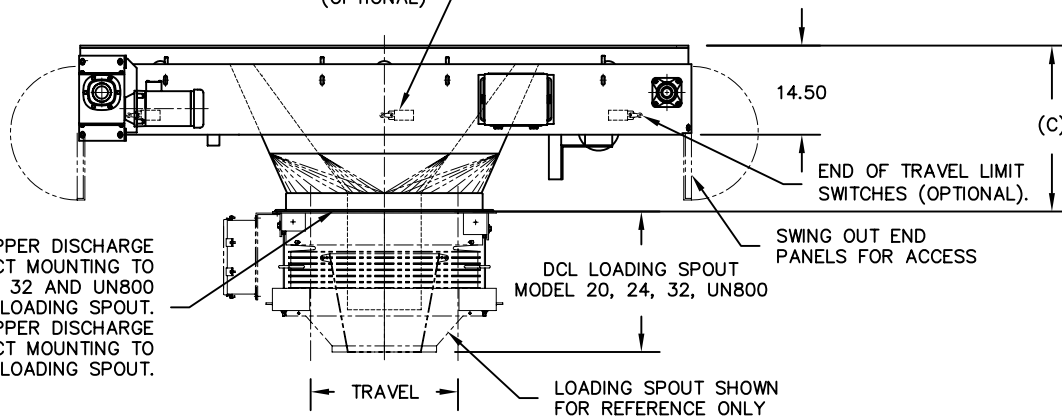
SPECIFICATIONS AND/OR DIMENSIONAL DATA ARE SUBJECT
TO CHANGE. CONSULT DCL FOR CERTIFIED DRAWINGS.

OPTIONS:

END OF TRAVEL LIMIT SWITCHES

PRE-WIRED ELECTRICAL ENCLOSURE

*ESTIMATED WEIGHTS DO NOT INCLUDE OPTIONAL
EQUIPMENT OR ELECTRICAL COMPONENTS.



32.00 DIA HOPPER DISCHARGE
FOR DIRECT MOUNTING TO
MODEL 32 AND UN800
LOADING SPOUT.

24.00 DIA HOPPER DISCHARGE
FOR DIRECT MOUNTING TO
MODEL 24 LOADING SPOUT.

DCL LOADING SPOUT
MODEL 20, 24, 32, UN800

SWING OUT END
PANELS FOR ACCESS

END OF TRAVEL LIMIT
SWITCHES (OPTIONAL).

14.50

(C)

TRAVEL

LOADING SPOUT SHOWN
FOR REFERENCE ONLY

REV	DATE	BY	DCL		SPECIALISTS IN ADVANCED DESIGN LOADING SYSTEMS		P.O. BOX 125 CHARLEVOIX, MICHIGAN 49720 (231) 547-5600	
			TOLERANCES UNLESS OTHERWISE SPECIFIED		DRAWN BY: RB		SCALE: NONE	
			FRACTIONAL: 1/16" DECIMAL: .06 ANGULAR: 1/2		CHECKED BY: ENG		DATE: 02-18-02	
			TITLE: HPD DUAL DIRECTION POSITIONER (VENT)				DRAWING No: HPD-10002	