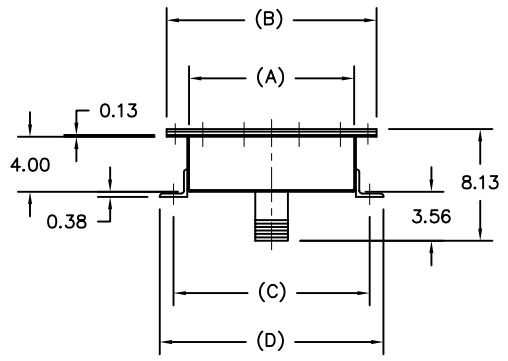
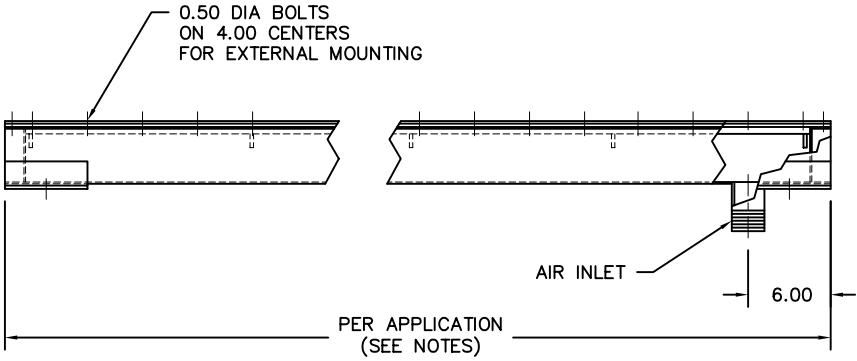
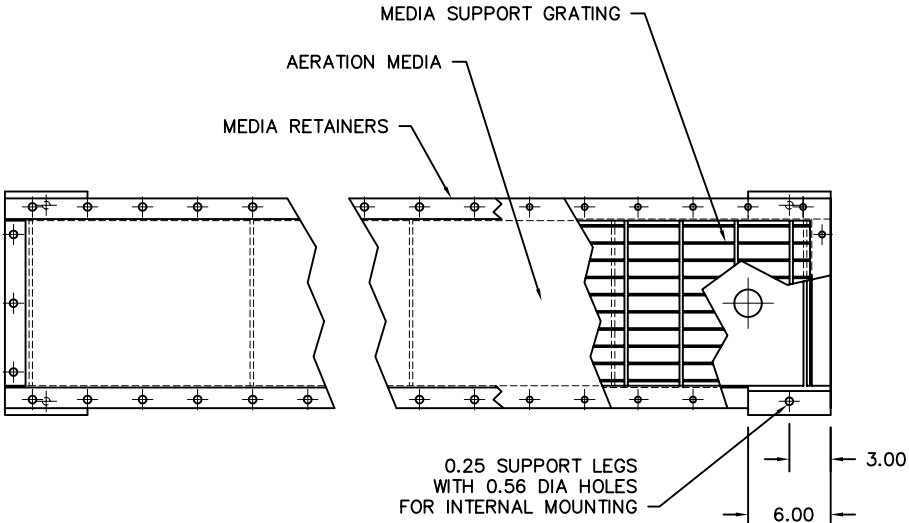


MODEL	A	B	C	D	EST WGT
FT6	6.00	9.25	8.25	10.25	158 LB*
FT8	8.00	11.25	10.25	12.25	182 LB*
FT10	10.00	13.25	12.25	14.25	200 LB*
FT12	12.00	15.25	14.25	16.25	221 LB*
FT24	24.00	27.25	26.25	28.25	341 LB*



GENERAL NOTES:

AIR CHAMBER CONSTRUCTION IS 11 GA MILD STEEL. STAINLESS STEEL CONSTRUCTION IS OPTIONAL.

MEDIA SUPPORT IS 0.13 x 1.00 BAR GRATING WITH 1.00 CENTERS.

STANDARD AERATION MEDIA IS 0.25 NEEDED POLYESTER RATED AT 310° F MAXIMUM TEMPERATURE. OTHER MEDIA TYPES ARE OPTIONAL. STAINLESS STEEL MESH COVERING IS ALSO AVAILABLE.

STANDARD AIR INLET IS 2.00 NPT WITH A MANUAL BALANCE VALVE AS OPTIONAL. 3.00 & 4.00 INLETS, 150# FLANGES, AND BUTTERFLY VALVES ARE OPTIONAL.

STANDARD LENGTHS ARE 48.00, 72.00, 96.00, 120.00, 180.00, AND 240.00. SPECIAL LENGTHS ARE AVAILABLE TO SUIT INDIVIDUAL APPLICATIONS. CONSULT DCL FOR DETAILS.

METAL SURFACES ARE ETCHED, PRIMED, AND FINISHED WITH INDUSTRIAL ENAMEL.

TROUGHS CAN BE MOUNTED EITHER EXTERNALLY (USING THE MEDIA FLANGE BOLTS) OR INTERNALLY (USING THE ATTACHED SUPPORT LEGS).

SPECIFICATIONS AND/OR DIMENSIONAL DATA ARE SUBJECT TO CHANGE. CONSULT DCL FOR CERTIFIED DRAWINGS.

*ESTIMATED WEIGHTS BASED ON 120.00 SECTIONS.

REV	DATE	BY	DCL		SPECIALISTS IN ADVANCED DESIGN LOADING SYSTEMS		P.O. BOX 125 CHARLEVOIX, MICHIGAN 49720 (231) 547-5600		
			TOLERANCES UNLESS OTHERWISE SPECIFIED		DRAWN BY: TLC		SCALE: NONE		
			FRACTIONAL: 1/16" DECIMAL: .06 ANGULAR: 1/2		CHECKED BY: ENG		DATE: 10-06-92		
A	04-18-02	TLC	TITLE: FT FLUIDIZED TROUGH FOR STORAGE SILO				DRAWING No: FT-10001		