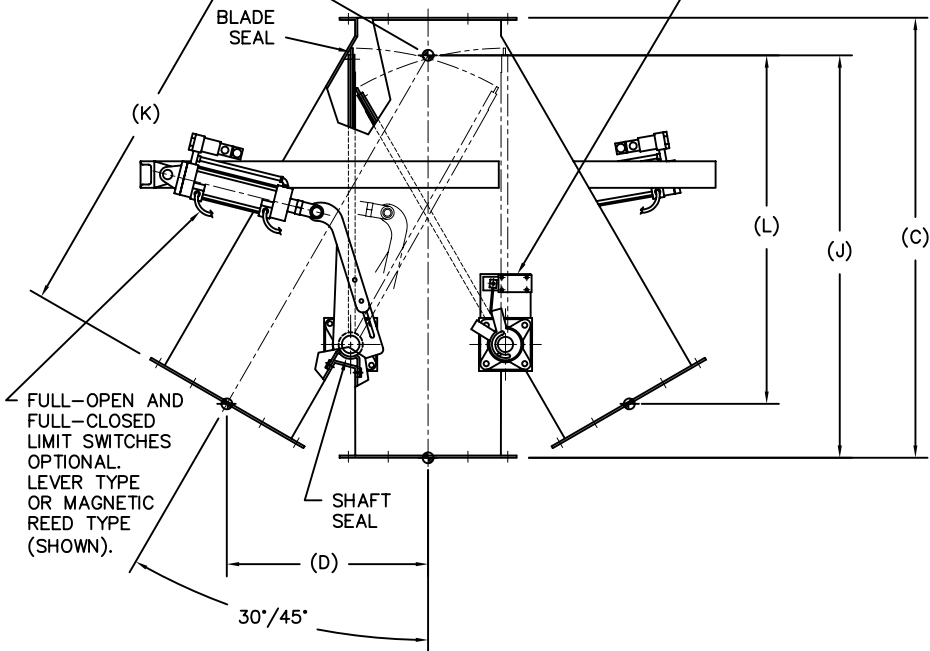


MODEL	A	B	C	D	E	F	G	H	J	K	L	EST WGT
FBTV30-06	6.00	9.00	27.37	12.50	2	4.00	8.00	0.63	24.00	25.00	21.62	161 LB*
FBTV30-08	8.00	11.00	31.62	14.50	2	5.00	10.00	0.63	27.75	29.00	25.12	236 LB*
FBTV30-10	10.00	13.00	35.37	16.25	2	6.00	12.00	0.63	31.00	32.50	28.12	304 LB*
FBTV30-12	12.00	15.00	39.50	18.12	2	7.00	14.00	0.63	34.75	36.25	31.37	506 LB*
FBTV30-14	14.00	17.00	45.75	20.87	4	4.00	16.00	0.63	40.25	41.75	36.12	637 LB*
FBTV30-16	16.00	20.00	49.75	22.75	4	4.50	18.00	0.63	43.75	45.50	39.43	757 LB*
FBTV30-18	18.00	22.00	54.00	24.75	4	5.00	20.00	0.63	47.50	49.50	42.87	1000 LB*
FBTV30-24	24.00	28.00	68.25	31.25	4	6.50	26.00	0.63	60.00	62.50	54.12	2252 LB*
FBTV30-30	30.00	36.00	80.75	36.87	5	6.75	33.75	0.63	70.50	73.75	63.87	C/F
FBTV30-36	36.00	42.00	100.00	45.50	6	6.63	39.75	0.63	90.25	91.00	78.75	C/F
FBTV45-06	6.00	9.00	19.00	11.50	2	4.00	8.00	0.63	14.25	16.25	11.50	C/F
FBTV45-08	8.00	11.00	21.75	13.25	2	5.00	10.00	0.63	16.25	18.75	13.25	216 LB*
FBTV45-10	10.00	13.00	24.50	14.87	2	6.00	12.00	0.63	18.50	21.06	14.87	320 LB*
FBTV45-12	12.00	15.00	27.37	16.62	2	7.00	14.00	0.63	20.50	23.50	16.62	C/F
FBTV45-14	14.00	17.00	31.87	19.25	4	4.00	16.00	0.63	24.00	27.25	19.25	403 LB*
FBTV45-16	16.00	20.00	34.87	20.87	4	4.50	18.00	0.63	26.25	29.50	20.87	C/F
FBTV45-18	18.00	22.00	37.50	22.62	4	5.00	20.00	0.63	28.25	32.00	22.62	727 LB*
FBTV45-24	24.00	28.00	48.37	29.00	4	6.50	26.00	0.63	36.50	41.00	29.00	C/F
FBTV45-30	30.00	36.00	56.25	34.25	5	6.75	33.75	0.63	42.37	48.50	34.25	C/F
FBTV45-36	36.00	42.00	70.25	42.00	6	6.63	39.75	0.63	53.00	59.50	42.00	C/F

4-WAY, 2-POSITION SOLENOID VALVE, PRE-PIPED AND MOUNTED TO CYLINDER. AVAILABLE IN NEMA 4, 7, AND 9.

OPTIONAL LEVER TYPE LIMIT SWITCHES SHOWN. AVAILABLE IN 2-POSITION (PAIR OF SWITCHES) OR 3-POSITION (SINGLE SWITCH, SHOWN).



FULL-OPEN AND FULL-CLOSED LIMIT SWITCHES OPTIONAL. LEVER TYPE OR MAGNETIC REED TYPE (SHOWN).

SHAFT SEAL

30°/45°

GENERAL NOTES:

HOUSING, BLADE, AND SEAL RETAINERS ARE MILD STEEL. ABRASION RESISTANT OR STAINLESS STEEL IS OPTIONAL.

AVAILABLE BLADE SEALS ARE URETHANE, SILICONE, VITON, OR HIGH-TEMPERATURE RUBBER BELTING. OTHER MATERIALS ARE AVAILABLE UPON REQUEST.

METAL SURFACES ARE ETCHED, PRIMED, AND FINISHED WITH INDUSTRIAL ENAMEL.

FULL-OPEN AND FULL-CLOSED LIMIT SWITCHES ARE OPTIONAL, AND ARE AVAILABLE IN NEMA 4, 7, AND 9.

LENGTH AND CAPACITY OF ACTUATOR TO BE DETERMINED UPON APPLICATION.

SPECIFICATIONS AND/OR DIMENSIONAL DATA ARE SUBJECT TO CHANGE. CONSULT DCL FOR CERTIFIED DRAWINGS.

C/F = CONSULT FACTORY

*ESTIMATED WEIGHTS DO NOT INCLUDE ACTUATOR OR ELECTRICAL COMPONENTS.

REV	DATE	BY	DCL		SPECIALISTS IN ADVANCED DESIGN LOADING SYSTEMS		P.O. BOX 125 CHARLEVOIX, MICHIGAN 49720 (231) 547-5600		
			TOLERANCES UNLESS OTHERWISE SPECIFIED		DRAWN BY: TLC		SCALE: NONE		
			FRACTIONAL: 1/16" DECIMAL: .06 ANGULAR: 1/2		CHECKED BY: ENG		DATE: 10-06-92		
A	01-30-02	TLC	TITLE: FBTV FLAT BLADE TRIVERTER VALVE				DRAWING No: FBTV-10001		