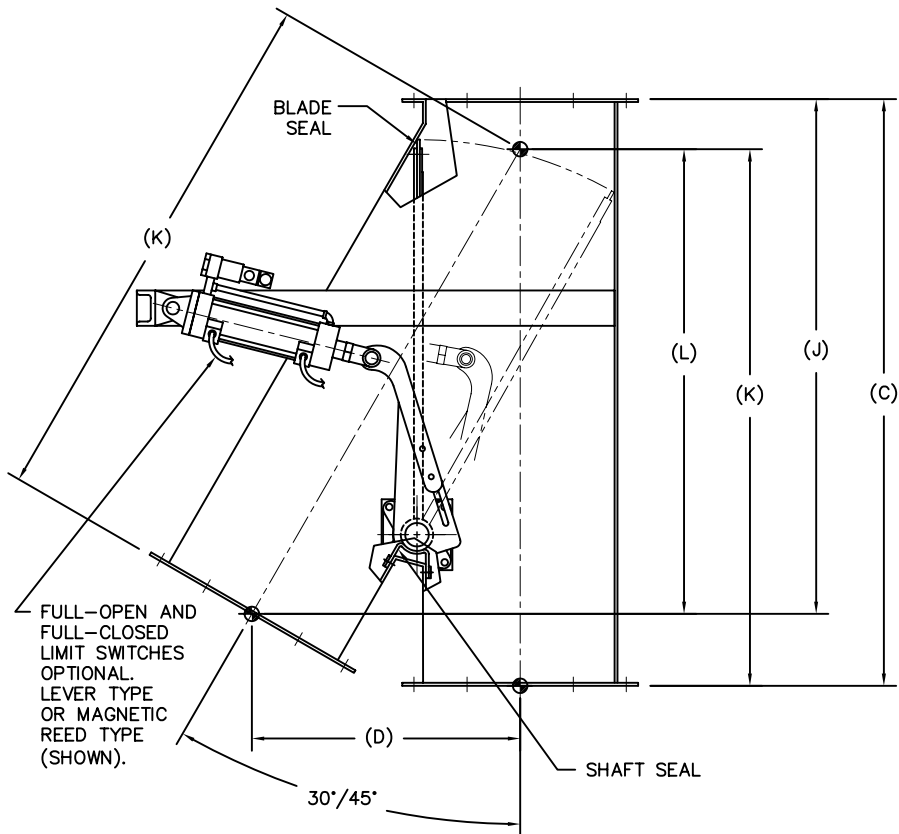
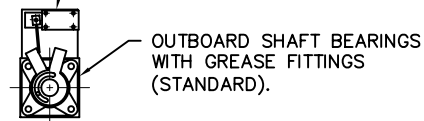


4-WAY, 2-POSITION SOLENOID VALVE,
PRE-PIPED AND MOUNTED TO CYLINDER.
AVAILABLE IN NEMA 4, 4X, 7, AND 9.

MODEL	A	B	C	D	E	F	G	H	J	K	L	EST WGT
FBOD30-06	6.00	9.00	27.38	12.50	2	4.00	8.00	0.63	24.00	25.00	21.63	132 LB*
FBOD30-08	8.00	11.00	31.62	14.50	2	5.00	10.00	0.63	27.75	29.00	25.13	160 LB*
FBOD30-10	10.00	13.00	35.38	16.25	2	6.00	12.00	0.63	31.00	32.50	28.13	246 LB*
FBOD30-12	12.00	15.00	39.50	18.13	2	7.00	14.00	0.63	34.75	36.25	31.38	270 LB*
FBOD30-14	14.00	17.00	45.75	20.88	4	4.00	16.00	0.63	40.19	41.75	36.19	434 LB*
FBOD30-16	16.00	20.00	49.75	22.75	4	4.50	18.00	0.63	43.69	45.50	39.39	530 LB*
FBOD30-18	18.00	22.00	54.00	24.75	4	5.00	20.00	0.63	47.50	49.50	42.88	662 LB*
FBOD30-24	24.00	28.00	68.25	31.25	4	6.50	26.00	0.63	60.00	62.50	54.13	1552 LB*
FBOD30-30	30.00	36.00	80.75	36.88	5	6.75	33.75	0.63	70.50	73.75	63.88	C/F
FBOD30-36	36.00	42.00	100.00	45.50	6	6.63	39.75	0.63	87.81	91.00	78.81	C/F
FBOD45-06	6.00	9.00	19.00	11.50	2	4.00	8.00	0.63	14.25	16.25	11.50	101 LB*
FBOD45-08	8.00	11.00	21.75	13.25	2	5.00	10.00	0.63	16.25	18.75	13.25	126 LB*
FBOD45-10	10.00	13.00	24.50	14.75	2	6.00	12.00	0.63	18.38	20.88	14.75	161 LB*
FBOD45-12	12.00	15.00	27.38	16.63	2	7.00	14.00	0.63	20.50	23.50	16.63	204 LB*
FBOD45-14	14.00	17.00	31.88	19.25	4	4.00	16.00	0.63	23.88	27.25	19.25	310 LB*
FBOD45-16	16.00	20.00	34.88	20.88	4	4.50	18.00	0.63	26.25	29.50	20.88	400 LB*
FBOD45-18	18.00	22.00	37.50	22.63	4	5.00	20.00	0.63	28.25	32.00	22.63	533 LB*
FBOD45-24	24.00	28.00	48.38	29.00	4	6.50	26.00	0.63	36.50	41.00	29.00	1135 LB*
FBOD45-30	30.00	36.00	56.25	34.25	5	6.75	33.75	0.63	42.38	48.50	34.25	C/F
FBOD45-36	36.00	42.00	70.25	42.00	6	6.63	39.75	0.63	53.00	59.50	42.00	C/F



OPTIONAL LEVER TYPE
LIMIT SWITCHES SHOWN.
AVAILABLE IN 2-POSITION
(PAIR OF SWITCHES)
OR 3-POSITION
(SINGLE SWITCH, SHOWN).



OUTBOARD SHAFT BEARINGS
WITH GREASE FITTINGS
(STANDARD).

VIEW "A"

GENERAL NOTES:

HOUSING, BLADE, AND SEAL RETAINERS ARE MILD STEEL.
ABRASION RESISTANT OR STAINLESS STEEL IS OPTIONAL.

AVAILABLE BLADE SEALS ARE URETHANE, SILICONE, VITON,
OR HIGH-TEMPERATURE RUBBER BELTING.
OTHER MATERIALS ARE AVAILABLE UPON REQUEST.

METAL SURFACES ARE POWER TOOL CLEANED, PRIMED, AND
FINISHED WITH INDUSTRIAL ENAMEL.

FULL-OPEN AND FULL-CLOSED LIMIT SWITCHES ARE
OPTIONAL, AND ARE AVAILABLE IN NEMA 4, 4X, 7, AND 9.

LENGTH AND CAPACITY OF ACTUATOR TO BE DETERMINED
UPON APPLICATION.

SPECIFICATIONS AND/OR DIMENSIONAL DATA ARE SUBJECT
TO CHANGE. CONSULT DCL FOR CERTIFIED DRAWINGS.

C/F = CONSULT FACTORY

*ESTIMATED WEIGHTS DO NOT INCLUDE ACTUATOR OR
ELECTRICAL COMPONENTS.

REV	DATE	BY	DCL		SPECIALISTS IN ADVANCED DESIGN LOADING SYSTEMS		P.O. BOX 125 CHARLEVOIX, MICHIGAN 49720 (231) 547-5600	
			TOLERANCES UNLESS OTHERWISE SPECIFIED		FRACTIONAL: 1/16"		DECIMAL: .06	
			ANGULAR: 1/2		DRAWN BY: TLC		SCALE: NONE	
					CHECKED BY: ENG		DATE: 10-06-92	
B	08-14-07	JNM	TITLE		DRAWING No:			
A	01-03-02	TLC	FBOD FLAT BLADE OFFSET DIVERTER VALVE		FBOD-10001			