

SEE DRAWING "DC-10001"  
FOR DIMENSION CHART

GENERAL NOTES:

ALL INDUSTRIAL VOLTAGES AVAILABLE FOR ELECTRICAL COMPONENTS.

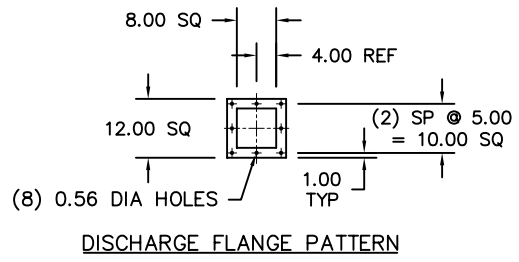
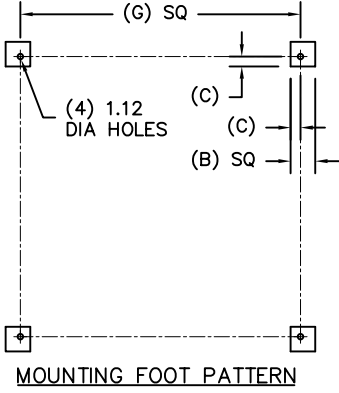
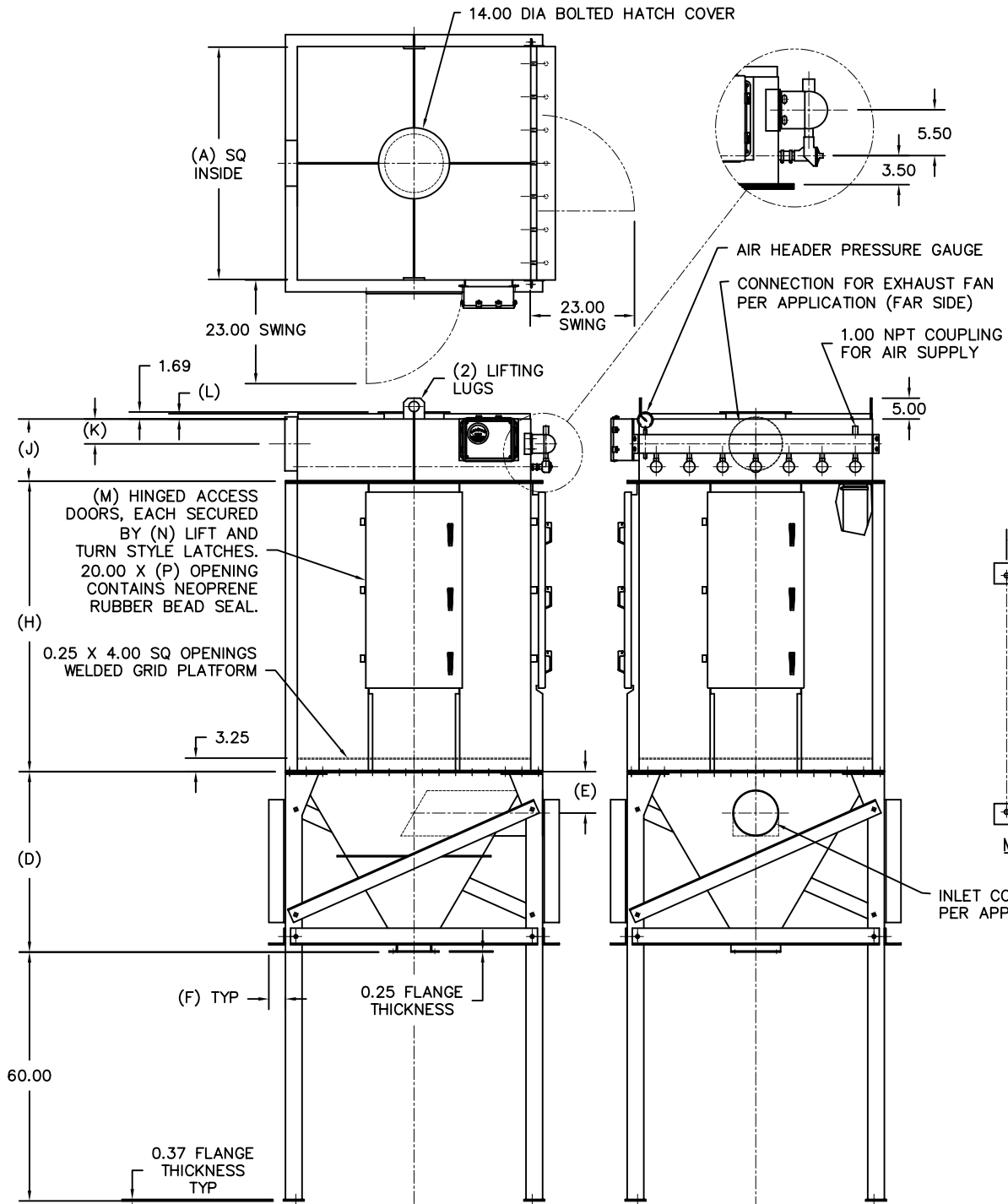
PREWIRING OF ELECTRICAL COMPONENTS TO CFM HOUSING JUNCTION BOX OPTIONAL.

ELECTRICAL ENCLOSURES NEMA 4 STANDARD. NEMA 4X, 7, AND 9 OPTIONAL.

METAL SURFACES ARE POWER TOOL CLEANED, PRIMED, AND FINISHED WITH INDUSTRIAL ENAMEL.

AIR REQUIREMENTS FOR COMPRESSED AIR HEADER ARE (16) CFM @ (80-100) PSI.

SPECIFICATIONS AND/OR DIMENSIONAL DATA ARE SUBJECT TO CHANGE. CONSULT DCL FOR CERTIFIED DRAWINGS.



REV	DATE	BY	DCL SPECIALISTS IN ADVANCED DESIGN LOADING SYSTEMS		P.O. BOX 125 CHARLEVOIX, MICHIGAN 49720 (231) 547-5800
			TOLERANCES UNLESS OTHERWISE SPECIFIED FRACTIONAL: 1/16" DECIMAL: .06 ANGULAR: 1/2		DRAWN BY: TLC SCALE: NONE
					CHECKED BY: ENG DATE: 03-04-97
A	09-15-03	TLC	TITLE DC BAG HOUSE STYLE DUST COLLECTOR		DRAWING No: DC-10002