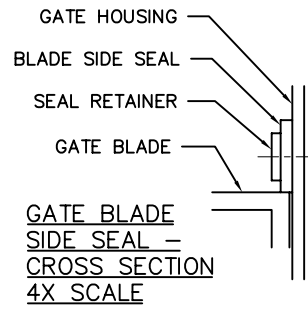
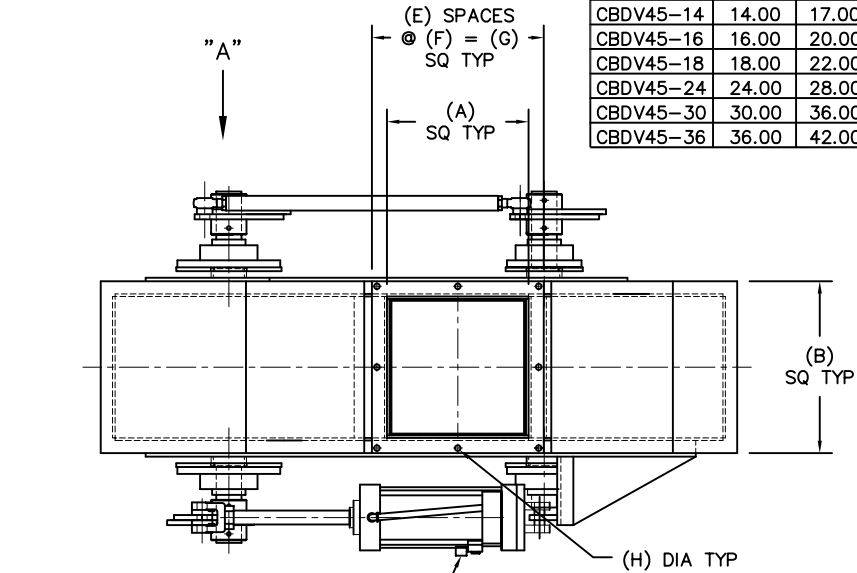


REV B ADDED 50 DEG SLOPE
AND UPDATED CHART

| MODEL | A | B | C | D | E | F | G | H | J | K | L | M | N | O | EST WGT |
|-----------|-------|-------|-------|-------|---|------|-------|------|-------|-------|-------|-------|-------|------|---------|
| CBDV45-06 | 6.00 | 9.00 | 25.44 | 16.00 | 2 | 4.00 | 8.00 | 0.63 | 18.75 | 22.69 | 16.00 | 14.31 | 19.19 | 0.00 | C/F |
| CBDV45-08 | 8.00 | 11.00 | 30.31 | 19.31 | 2 | 5.00 | 10.00 | 0.63 | 22.31 | 27.31 | 19.31 | 17.75 | 23.25 | 1.13 | C/F |
| CBDV45-10 | 10.00 | 13.00 | 37.94 | 24.25 | 2 | 6.00 | 12.00 | 0.63 | 27.88 | 34.31 | 24.25 | 21.56 | 28.81 | 3.25 | C/F |
| CBDV45-12 | 12.00 | 15.00 | 42.13 | 27.06 | 2 | 7.00 | 14.00 | 0.63 | 30.94 | 38.25 | 27.06 | 24.69 | 32.38 | 3.44 | C/F |
| CBDV45-14 | 14.00 | 17.00 | 51.00 | 32.81 | 4 | 4.00 | 16.00 | 0.63 | 37.44 | 46.38 | 32.81 | 29.25 | 38.81 | 4.69 | C/F |
| CBDV45-16 | 16.00 | 20.00 | 58.13 | 37.31 | 4 | 4.50 | 18.00 | 0.63 | 42.69 | 52.75 | 37.31 | 32.13 | 44.38 | 5.88 | C/F |
| CBDV45-18 | 18.00 | 22.00 | 58.38 | 38.00 | 4 | 5.00 | 20.00 | 0.63 | 42.63 | 53.75 | 38.00 | 34.00 | 45.81 | 5.13 | C/F |
| CBDV45-24 | 24.00 | 28.00 | C/F | C/F | 4 | 6.50 | 26.00 | 0.63 | C/F | C/F | C/F | C/F | C/F | C/F | C/F |
| CBDV45-30 | 30.00 | 36.00 | C/F | C/F | 5 | 6.75 | 33.75 | 0.63 | C/F | C/F | C/F | C/F | C/F | C/F | C/F |
| CBDV45-36 | 36.00 | 42.00 | C/F | C/F | 6 | 6.63 | 39.75 | 0.63 | C/F | C/F | C/F | C/F | C/F | C/F | C/F |



GENERAL NOTES:

HOUSING, BLADE, AND SEAL RETAINERS ARE MILD STEEL. ABRASION RESISTANT OR STAINLESS STEEL IS OPTIONAL.

AVAILABLE BLADE SEALS ARE URETHANE, SILICONE, VITON, OR HIGH-TEMPERATURE RUBBER BELTING. OTHER MATERIALS ARE AVAILABLE UPON REQUEST.

METAL SURFACES ARE POWER TOOL CLEANED, PRIMED, AND FINISHED WITH INDUSTRIAL ENAMEL.

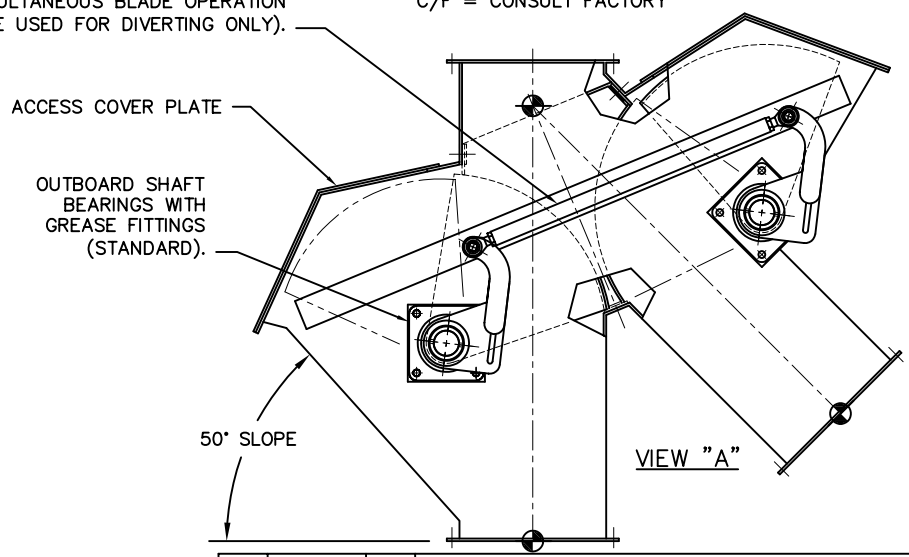
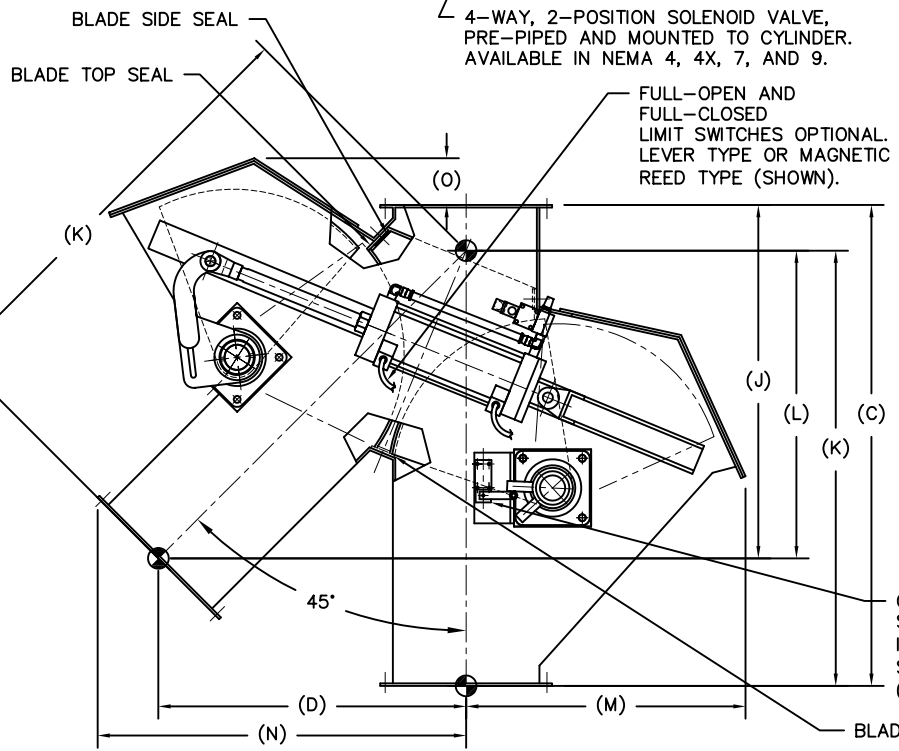
FULL-OPEN AND FULL-CLOSED LIMIT SWITCHES ARE OPTIONAL, AND ARE AVAILABLE IN NEMA 4, 4X, 7, AND 9.

LENGTH AND CAPACITY OF ACTUATOR TO BE DETERMINED UPON APPLICATION.

SPECIFICATIONS AND/OR DIMENSIONAL DATA ARE SUBJECT TO CHANGE. CONSULT DCL FOR CERTIFIED DRAWINGS.

C/F = CONSULT FACTORY

AVAILABLE WITH DUAL ACTUATORS/LIMITS FOR INDEPENDENT BLADE OPERATION (CAN BE USED FOR TOTAL SHUTOFF), OR TANDEM OPERATION BAR (SHOWN) FOR SIMULTANEOUS BLADE OPERATION (CAN BE USED FOR DIVERTING ONLY).



| REV | DATE | BY | TITLE | SCALE |
|-----|----------|-----|---------------------------------|-------|
| B | 02-10-04 | RB | CBD CURVED BLADE DIVERTER VALVE | NONE |
| A | 05-27-03 | TLC | | |

| | | | | | | |
|--|--|--|--|-----------------------|--|----------------|
| | | | SPECIALISTS IN ADVANCED DESIGN LOADING SYSTEMS | | P.O. BOX 125 CHARLEVOIX, MICHIGAN 49720 (231) 547-5600 | |
| TOLERANCES UNLESS OTHERWISE SPECIFIED FRACTIONAL: 1/16" DECIMAL: .06 ANGULAR: 1/2 | | | DRAWN BY: TLC | SCALE: NONE | CHECKED BY: ENG | DATE: 10-06-92 |
| TITLE: CBD CURVED BLADE DIVERTER VALVE | | | | DRAWING No: CBD-10004 | | |