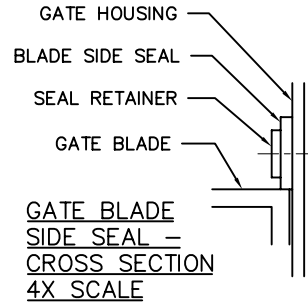
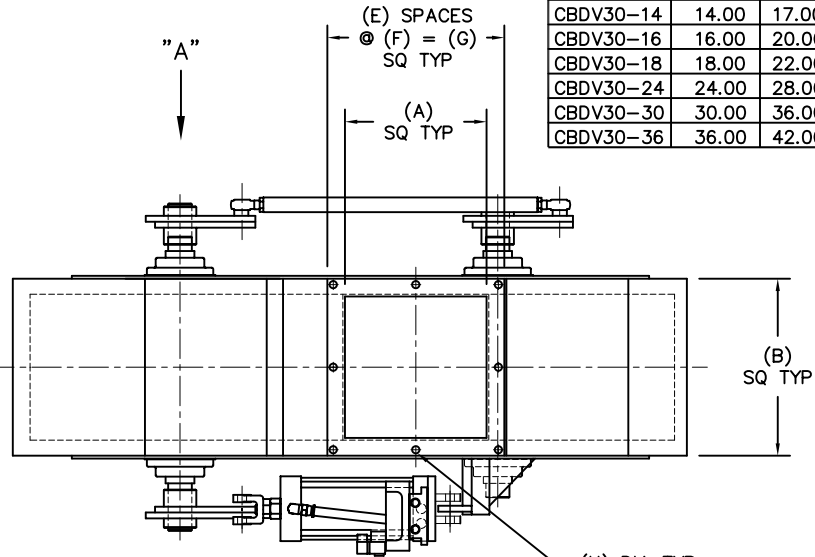


REV B ADDED 50 DEG. SLOPE AND UPDATED CHART

MODEL	A	B	C	D	E	F	G	H	J	K	L	M	N	EST WGT
CBDV30-06	6.00	9.00	30.25	13.94	2	4.00	8.00	0.63	26.50	27.94	24.19	15.06	20.88	C/F
CBDV30-08	8.00	11.00	36.25	16.81	2	5.00	10.00	0.63	31.75	33.63	29.13	18.00	25.13	C/F
CBDV30-10	10.00	13.00	42.69	19.94	2	6.00	12.00	0.63	37.38	39.81	34.50	21.19	29.75	C/F
CBDV30-12	12.00	15.00	49.50	23.06	2	7.00	14.00	0.63	43.31	46.13	39.94	22.94	34.13	C/F
CBDV30-14	14.00	17.00	58.06	27.06	4	4.00	16.00	0.63	50.81	54.06	46.81	28.88	40.13	C/F
CBDV30-16	16.00	20.00	64.38	30.06	4	4.50	18.00	0.63	56.31	60.13	52.06	31.88	44.56	C/F
CBDV30-18	18.00	22.00	74.75	35.06	4	5.00	20.00	0.63	65.38	70.13	60.75	36.25	51.50	C/F
CBDV30-24	24.00	28.00	98.25	46.19	4	6.50	26.00	0.63	85.88	92.38	80.00	47.06	67.31	C/F
CBDV30-30	30.00	36.00	C/F	C/F	5	6.75	33.75	0.63	C/F	C/F	C/F	C/F	C/F	C/F
CBDV30-36	36.00	42.00	C/F	C/F	6	6.63	39.75	0.63	C/F	C/F	C/F	C/F	C/F	C/F



**GENERAL NOTES:**

HOUSING, BLADE, AND SEAL RETAINERS ARE MILD STEEL. ABRASION RESISTANT OR STAINLESS STEEL IS OPTIONAL.

AVAILABLE BLADE SEALS ARE URETHANE, SILICONE, VITON, OR HIGH-TEMPERATURE RUBBER BELTING. OTHER MATERIALS ARE AVAILABLE UPON REQUEST.

METAL SURFACES ARE POWER TOOL CLEANED, PRIMED, AND FINISHED WITH INDUSTRIAL ENAMEL.

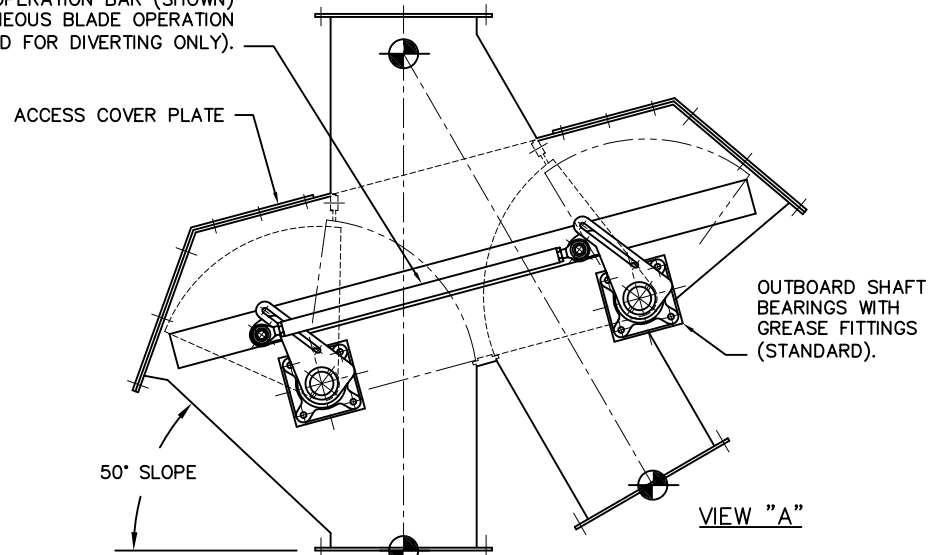
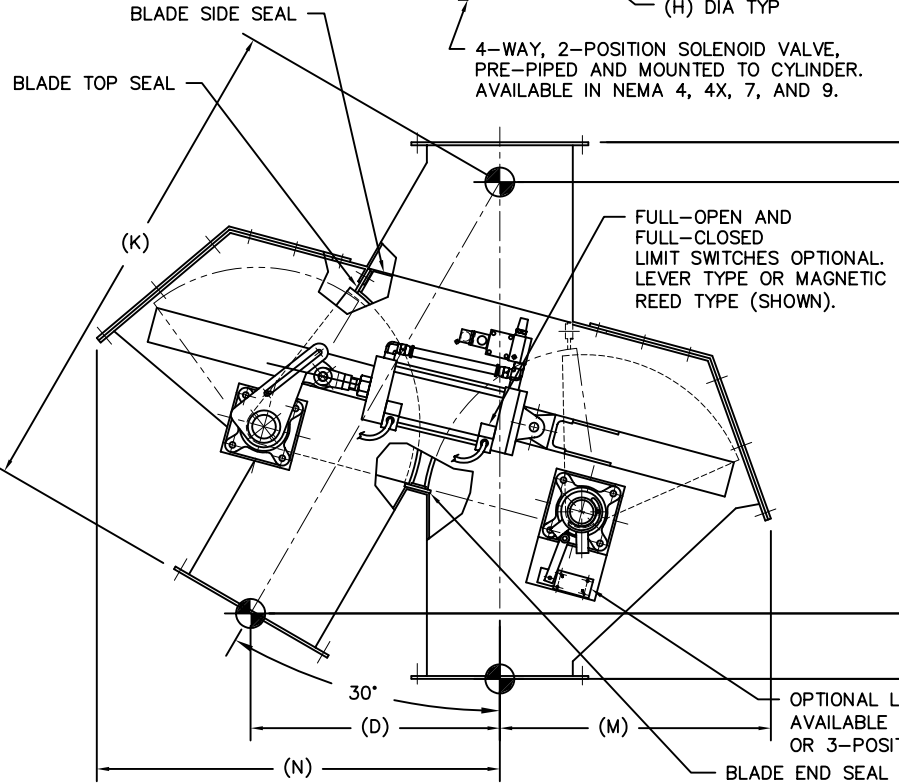
FULL-OPEN AND FULL-CLOSED LIMIT SWITCHES ARE OPTIONAL, AND ARE AVAILABLE IN NEMA 4, 4X, 7, AND 9.

LENGTH AND CAPACITY OF ACTUATOR TO BE DETERMINED UPON APPLICATION.

SPECIFICATIONS AND/OR DIMENSIONAL DATA ARE SUBJECT TO CHANGE. CONSULT DCL FOR CERTIFIED DRAWINGS.

C/F = CONSULT FACTORY

AVAILABLE WITH DUAL ACTUATORS/LIMITS FOR INDEPENDENT BLADE OPERATION (CAN BE USED FOR TOTAL SHUTOFF), OR TANDER OPERATION BAR (SHOWN) FOR SIMULTANEOUS BLADE OPERATION (CAN BE USED FOR DIVERTING ONLY).



REV	DATE	BY	TITLE	SCALE
B	02-09-04	RB	CBD CURVED BLADE DIVERTER VALVE	NONE
A	05-23-03	TLC		

			SPECIALISTS IN ADVANCED DESIGN LOADING SYSTEMS		P.O. BOX 125 CHARLEVOIX, MICHIGAN 49720 (231) 547-5600	
TOLERANCES UNLESS OTHERWISE SPECIFIED FRACTIONAL: 1/16"    DECIMAL: .06    ANGULAR: 1/2°			DRAWN BY: TLC	SCALE: NONE	CHECKED BY: ENG	DATE: 10-06-92
OPTIONAL LEVER TYPE LIMIT SWITCHES SHOWN. AVAILABLE IN 2-POSITION (PAIR OF SWITCHES) OR 3-POSITION (SINGLE SWITCH, SHOWN).			DRAWING No: CBD-10003		DATE: 10-06-92	