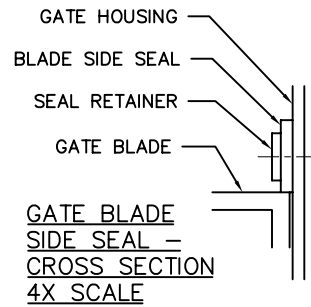
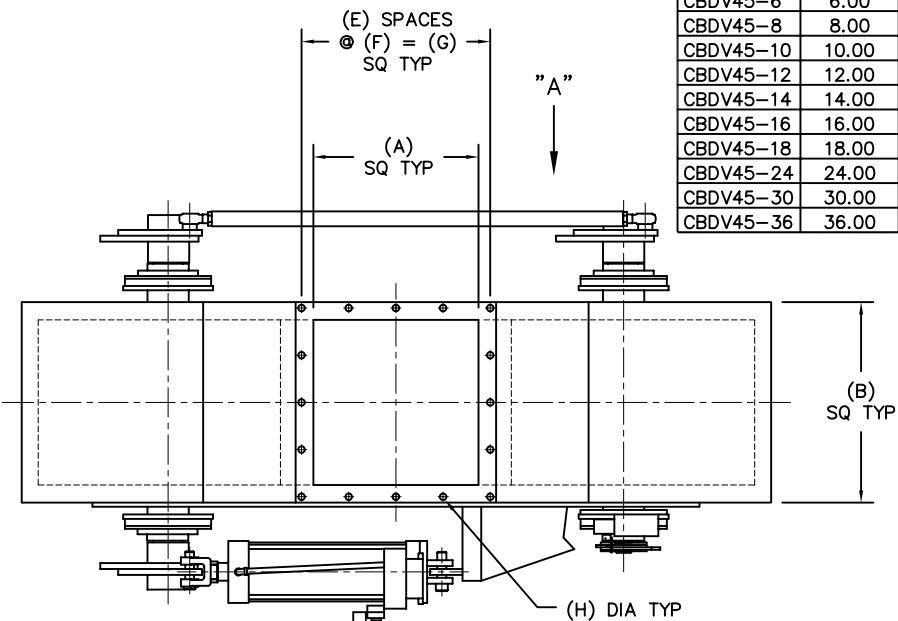


MODEL	A	B	C	D	E	F	G	H	J	K	L	EST WGT
CBDV45-6	6.00	9.00	C/F	C/F	2	4.00	8.00	0.63	C/F	C/F	C/F	C/F
CBDV45-8	8.00	11.00	C/F	C/F	2	5.00	10.00	0.63	C/F	C/F	C/F	C/F
CBDV45-10	10.00	13.00	C/F	C/F	2	6.00	12.00	0.63	C/F	C/F	C/F	C/F
CBDV45-12	12.00	15.00	27.38	16.62	2	7.00	14.00	0.63	28.75	23.50	16.62	621 LB*
CBDV45-14	14.00	17.00	30.38	18.75	4	4.00	16.00	0.63	31.75	26.50	18.75	C/F
CBDV45-16	16.00	20.00	34.38	20.88	4	4.50	18.00	0.63	35.31	29.50	20.88	C/F
CBDV45-18	18.00	22.00	C/F	C/F	4	5.00	20.00	0.63	C/F	C/F	C/F	C/F
CBDV45-24	24.00	28.00	C/F	C/F	4	6.50	26.00	0.63	C/F	C/F	C/F	C/F
CBDV45-30	30.00	36.00	C/F	C/F	5	6.75	33.75	0.63	C/F	C/F	C/F	C/F
CBDV45-36	36.00	42.00	C/F	C/F	6	6.63	39.75	0.63	C/F	C/F	C/F	C/F



**GENERAL NOTES:**

HOUSING, BLADE, AND SEAL RETAINERS ARE MILD STEEL. ABRASION RESISTANT OR STAINLESS STEEL IS OPTIONAL.

AVAILABLE BLADE SEALS ARE URETHANE, SILICONE, VITON, OR HIGH-TEMPERATURE RUBBER BELTING. OTHER MATERIALS ARE AVAILABLE UPON REQUEST.

METAL SURFACES ARE POWER TOOL CLEANED, PRIMED, AND FINISHED WITH INDUSTRIAL ENAMEL.

FULL-OPEN AND FULL-CLOSED LIMIT SWITCHES ARE OPTIONAL, AND ARE AVAILABLE IN NEMA 4, 4X, 7, AND 9.

LENGTH AND CAPACITY OF ACTUATOR TO BE DETERMINED UPON APPLICATION.

SPECIFICATIONS AND/OR DIMENSIONAL DATA ARE SUBJECT TO CHANGE. CONSULT DCL FOR CERTIFIED DRAWINGS.

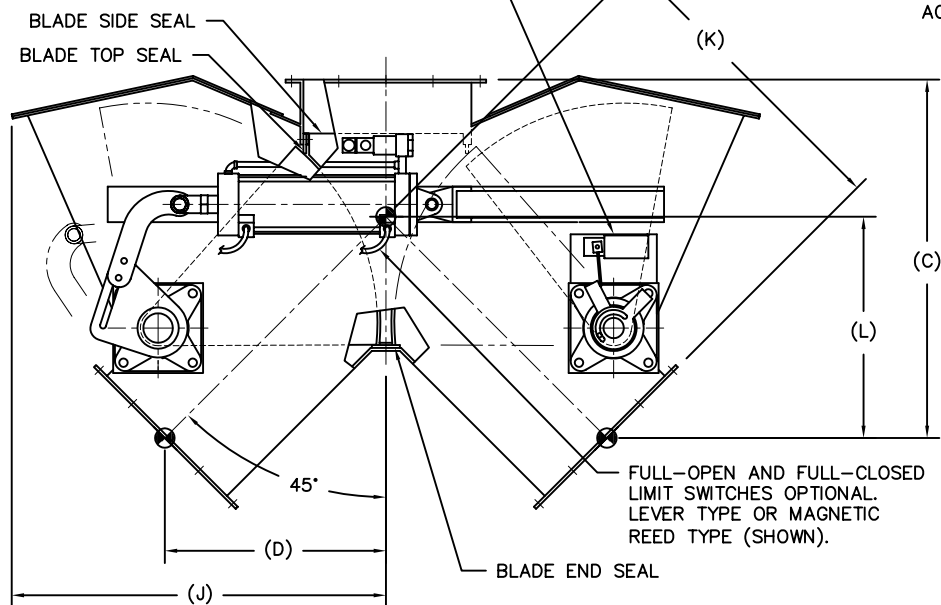
C/F = CONSULT FACTORY

\*ESTIMATED WEIGHTS DO NOT INCLUDE ACTUATOR OR ELECTRICAL COMPONENTS.

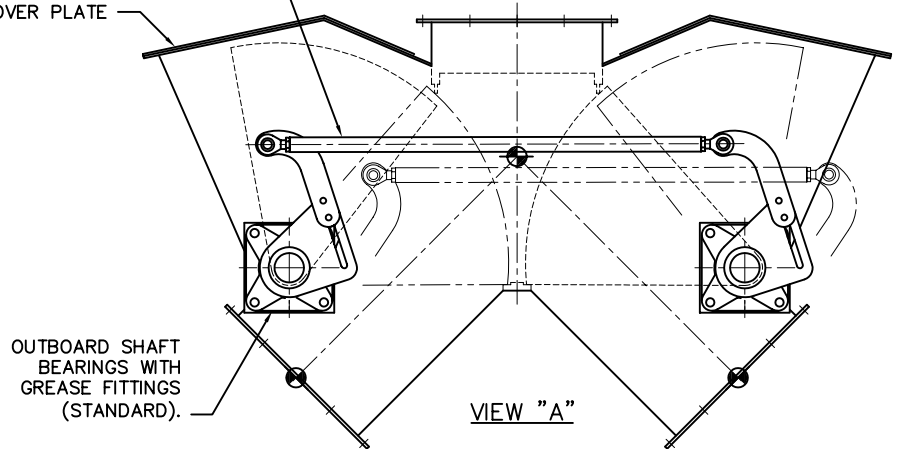
4-WAY, 2-POSITION SOLENOID VALVE, PRE-PIPED AND MOUNTED TO CYLINDER. AVAILABLE IN NEMA 4, 4X, 7, AND 9.

AVAILABLE WITH DUAL ACTUATORS/LIMITS FOR INDEPENDENT BLADE OPERATION (CAN BE USED FOR TOTAL SHUTOFF), OR TANDEM OPERATION BAR (SHOWN) FOR SIMULTANEOUS BLADE OPERATION (CAN BE USED FOR DIVERTING ONLY).

OPTIONAL LEVER TYPE LIMIT SWITCHES SHOWN. AVAILABLE IN 2-POSITION (PAIR OF SWITCHES) OR 3-POSITION (SINGLE SWITCH, SHOWN).



FULL-OPEN AND FULL-CLOSED LIMIT SWITCHES OPTIONAL. LEVER TYPE OR MAGNETIC REED TYPE (SHOWN).



REV	DATE	BY	DCL		SPECIALISTS IN ADVANCED DESIGN LOADING SYSTEMS		P.O. BOX 125 CHARLEVOIX, MICHIGAN 49720 (231) 547-5600	
			TOLERANCES UNLESS OTHERWISE SPECIFIED		FRACTIONAL 1/16" DECIMAL .06 ANGULAR 1/2		DRAWN BY: TLC	SCALE: NONE
			TITLE: CBD CURVED BLADE DIVERTER VALVE		DRAWING No: CBD-10002		CHECKED BY: ENG	DATE: 10-06-92
A	02-25-03	TLC						