

GENERAL NOTES:

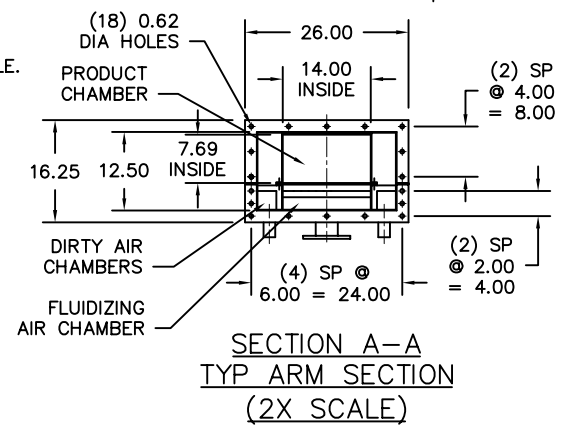
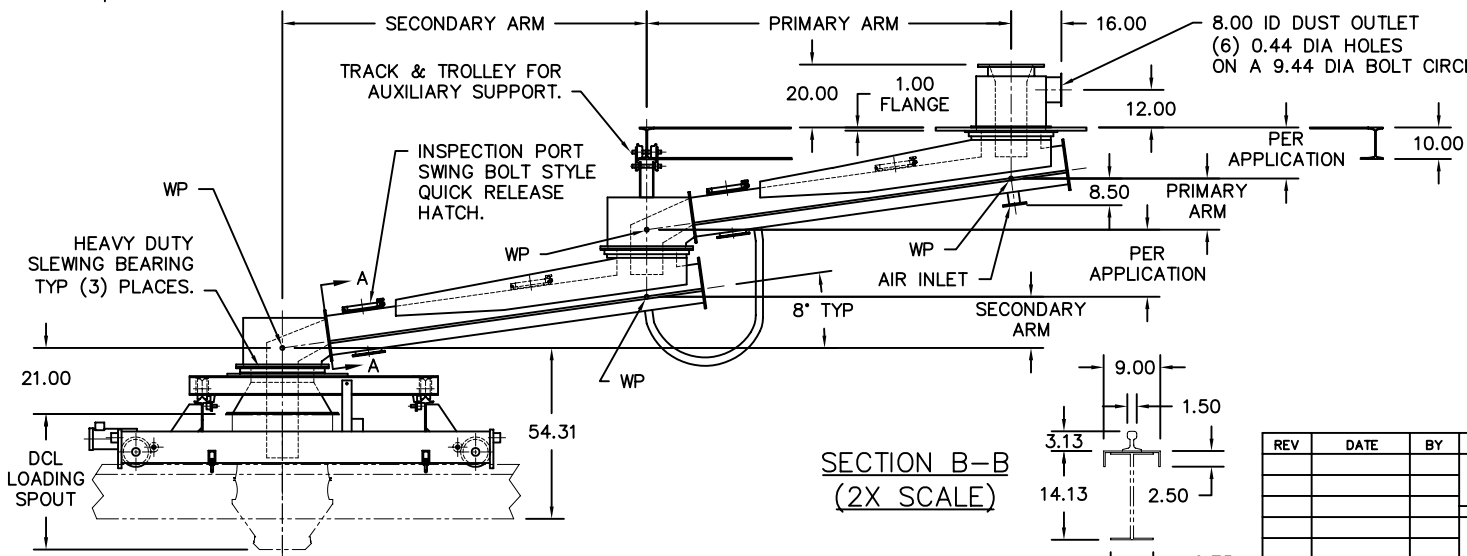
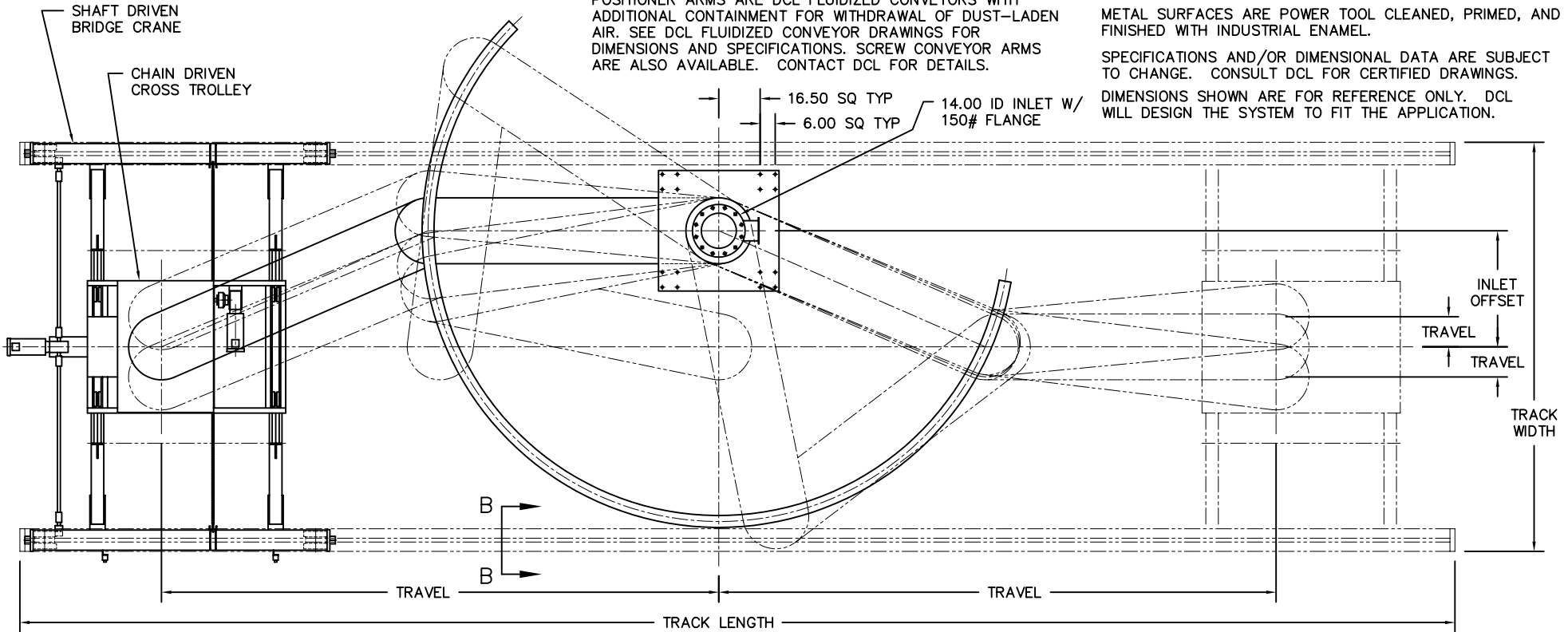
POSITIONER ARMS ARE DCL FLUIDIZED CONVEYORS WITH ADDITIONAL CONTAINMENT FOR WITHDRAWAL OF DUST-LADEN AIR. SEE DCL FLUIDIZED CONVEYOR DRAWINGS FOR DIMENSIONS AND SPECIFICATIONS. SCREW CONVEYOR ARMS ARE ALSO AVAILABLE. CONTACT DCL FOR DETAILS.

ROUND OR RECTANGULAR PRODUCT INLETS AND OUTLETS ARE AVAILABLE. SPECIAL BOLT PATTERNS ARE OPTIONAL.

METAL SURFACES ARE POWER TOOL CLEANED, PRIMED, AND FINISHED WITH INDUSTRIAL ENAMEL.

SPECIFICATIONS AND/OR DIMENSIONAL DATA ARE SUBJECT TO CHANGE. CONSULT DCL FOR CERTIFIED DRAWINGS.

DIMENSIONS SHOWN ARE FOR REFERENCE ONLY. DCL WILL DESIGN THE SYSTEM TO FIT THE APPLICATION.



REV	DATE	BY	DCL		SPECIALISTS IN ADVANCED DESIGN LOADING SYSTEMS		P.O. BOX 125 CHARLEVOIX, MICHIGAN 49720 (231) 547-5600	
			TOLERANCES UNLESS OTHERWISE SPECIFIED		FRACTIONAL 1/16" DECIMAL .06 ANGULAR 1/2		DRAWN BY: TLC SCALE NONE	
			CHECKED BY: ENG		DATE: 10-06-92		TITLE: APA ARTICULATING ARM POSITIONER	
A	09-13-02	TLC	DRAWING No:		APA-10001			